

- Central office or CPE applications
- Suitable for 8mbps/640kbps ADSL applications
- Designed to meet IEC-950 isolation and insulation requirements
- Meets ANSI T1.413 Issue 2, Category 1 and ITU G.lite standards
- Designed to optimize performance with the Alcatel MTK 20131, MTK 20140, MTK 20150 ADSL chipsets.
- Surface mount models available
- UL94V-0 materials
- ISO 9001 certified supplier

Specifications

Schott P/N	OCL +/- 5% uH	Turns Ratio Chip:Line +/- 2%	Leakage uH Max	DCR Chip Max Ohms	DCR Line Max Ohms	Dielectric Strength Vrms Min	Configuration / Schematic	Application
31640	440	1:1:1:1	15	0.5	1	1500**	23x11 THD	CP
34025	102	1:1:2:2	5	0.64	1.16	1500**	RM8 THD	CO
34026	844 min	1:2:4.5 CT	1	0.3	0.4	600	EP10 THD	CO
33684	440	1:1:1:1	15	0.6	1.6	1500**	EP13 THD/A	CP
34024	102	1:1:2:2	5	0.25	0.4	1500*	EP13 THD/A	CO
32188	7680 min	1:2:1.64 CT	3	2.55	1.95	600	EP10 THD	CP
36952	440	1:1:1:1	15	0.8	1	1500**	EP10 THD/A	CP
34318	440	1:1:1:1	15	0.6	1.6	1500**	EP13 SMD	CP

Specifications: POTS Filter Magnetics

Schott P/N	OCL +/- 5%	Turns Ratio Chip:Line +/- 2%	IWC Pf Max	DCR Max Ohms	Dielectric Strength Vrms Min	Config / Schematic	Function
32186	234	1:0:1	5	0.67	500	RM4 THD	AF Trans
32761	234	1:0:1	7	0.67	500	EP13 THD/B	AF Trans
32187	282	1:0:1	5	0.95	500	RM4 THD	AF Trans
32762	282	1:0:1	7	0.95	500	EP13 THD/B	AF Trans
32189	500	1:0:1	10	4.1	500	9X5 THD	LF Trans
32763	500	1:0:1	7	3.8	500	EP7 THD/A	LF Trans
33681	91*	1:0:1	5	0.7	500	EP7 THD/A	AF Trans
33683	96	N/A	N/A	0.42	500	EP7 THD/B	Inductor

Specifications: Common Mode Choke

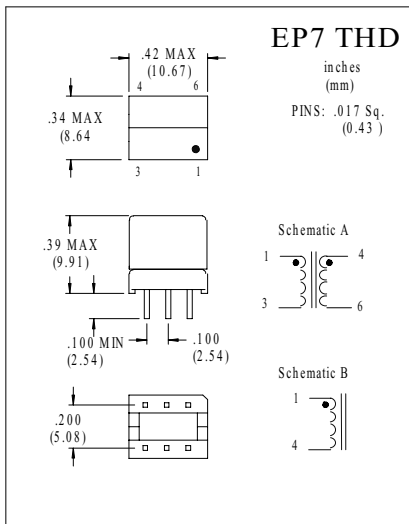
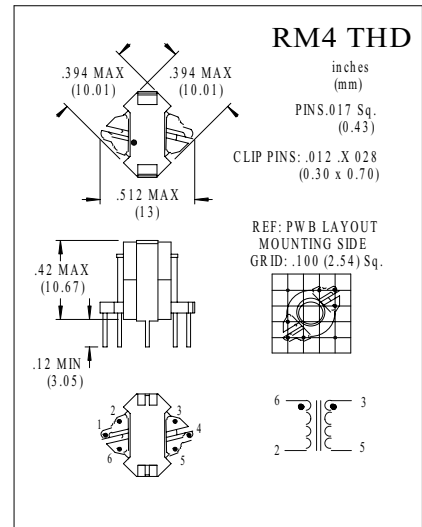
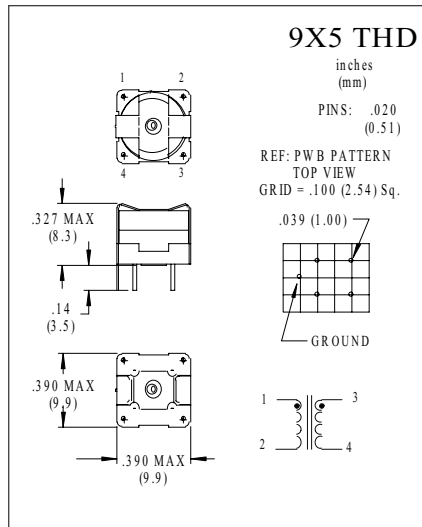
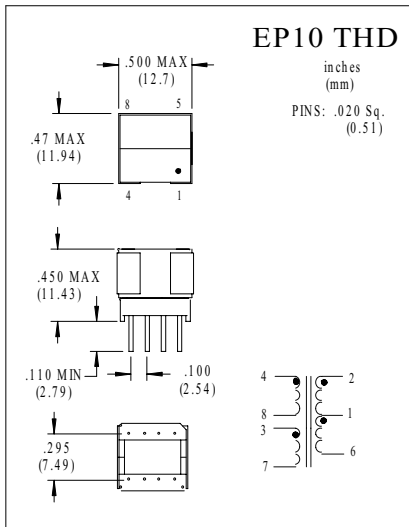
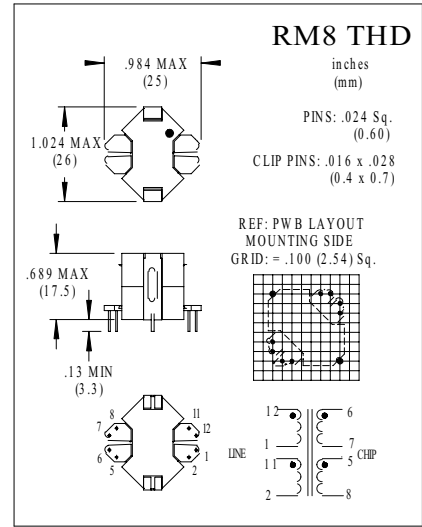
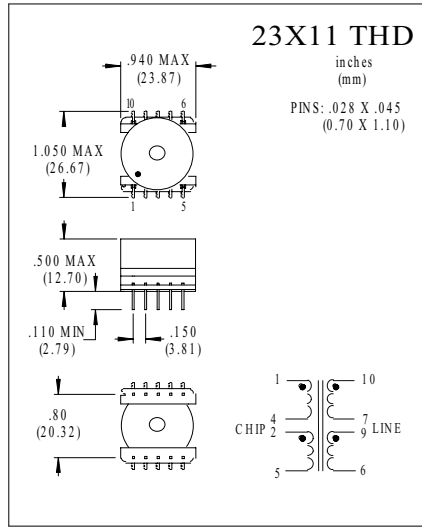
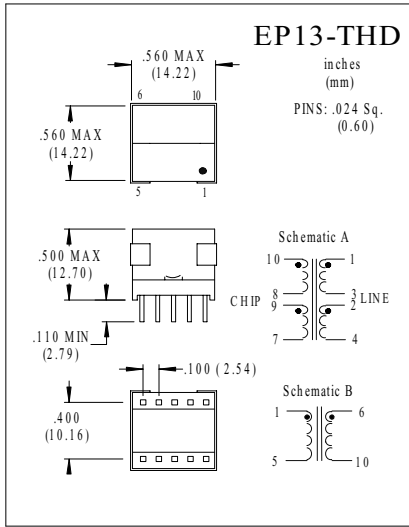
Schott P/N	OCL +/- 5% uH	Turns Ratio Chip:Line +/- 2%	Leakage uH Max	DCR Chip Max Ohms	DCR Line Max Ohms	Dielectric Strength Vrms Min	Configuration / Schematic	Application
34518	3.3 min	1:1	0.6	1.0	1.0	650	Toroid SMD	CO/CPE

Parts availability subject to Schott manufacturing schedules and leadtimes. Not all parts available from stock. Please contact us for more details and availability. The Adobe Acrobat Reader is required to view these linked documents.

Electrical Specifications Test Criteria

1. These transformers are designed for operating within a temperature range of -40°C to +85°C. All electrical characteristics are reported for operating at 25°C.
2. Inductance (OCL) is measured at 10KHz, 0.1Vrms, IWC is measured at 10KHz, 0.01 Vrms.
3. *Tolerance is ± 10% for OCL.
4. **/***Designed to meet UL1950/EN60950 isolation and insulation requirements.
5. 31640 & 33684, have UL1950 approval at 120 Vrms, 200 Vpk/s and BABT EN60950 approval at 250 Vrms.
6. 34024, 36952, 34318 have UL1950/EN60950/BABT approval at 250 Vrms and are recommended for new designs.
7. For complete parameters of components listed above, request individual specification sheets.

All data is believed to be accurate at time of printing. Schott Corporation reserves the right to make changes without notification. "Schott" is a trade name of Schott Corporation. All other trademarks and trade names are the property of their respective holder.



Schott Corporation
1000 Parkers Lake Road
Wayzata, Minnesota 55391
U.S.A.

Tel: + (952) 475-1173
Fax: + (952) 475-1786
Email: salesd@schottcorp.com
Web: http://www.schottcorp.com

All statements and technical information contained herein are believed to be accurate, but the accuracy and completeness thereof is not guaranteed. If any product is found to be defective, Schott Corporation's (Seller) only obligation shall be to replace such quantity of the product proved to be defective. User shall determine the suitability of the product for the intended use, and user assumes all risk and liability whatsoever in connection herewith. Seller shall not be liable for any direct, consequential, or incidental loss or damage. Conditions not specifically stated herein shall be governed by established trade customs. Schott Corporation reserves the right to make changes without notification. "Schott" is a trade name of Schott Corporation. All other trademarks and trade names are the property of their respective holder.