



- Central Office/Customer Premises
- Suitable for 6 mbps/640 kbps ADSL/RADSL applications
- UL1950/IEC-950 compliant versions meet 1500 Vrms isolation and insulation requirements
- Meets ANSI T1.43/1995, and ANSI T1.601 for Bellcore loops
- Designed to optimize performance with the Globespan Semiconductor chipset
- Surface mount models available
- UL94-V0 materials
- ISO 9001 certified
- Agency approvals are pending

Specifications

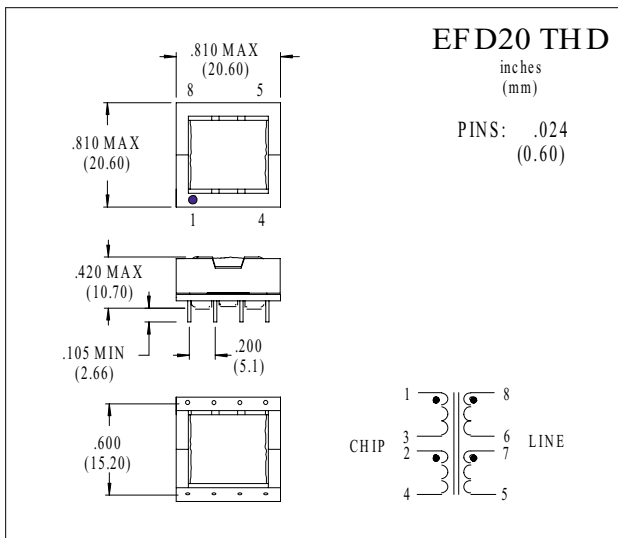
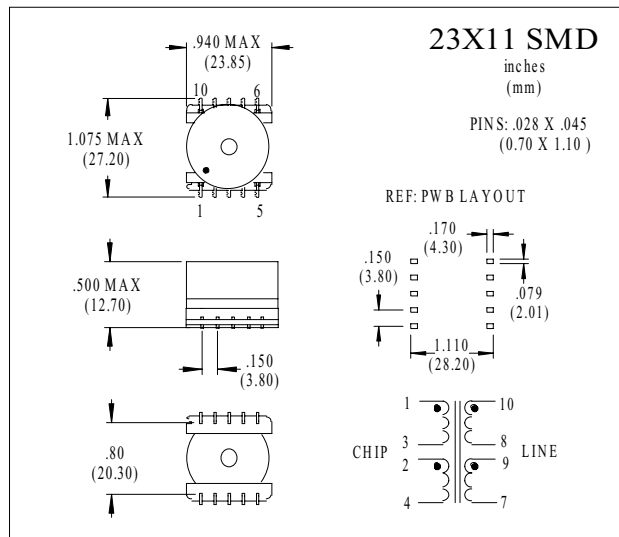
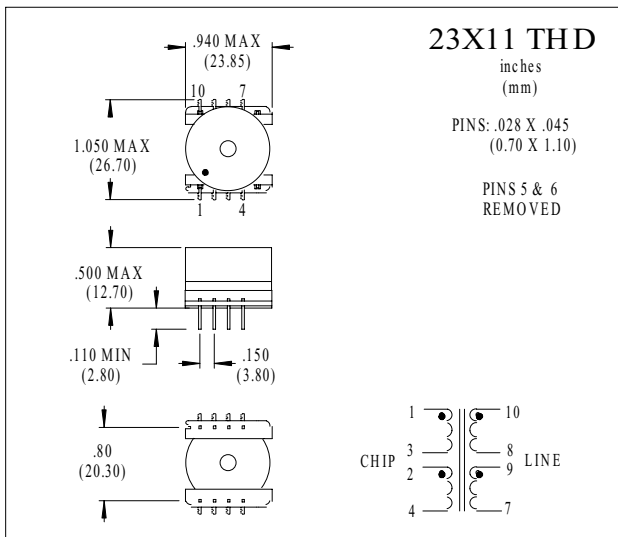
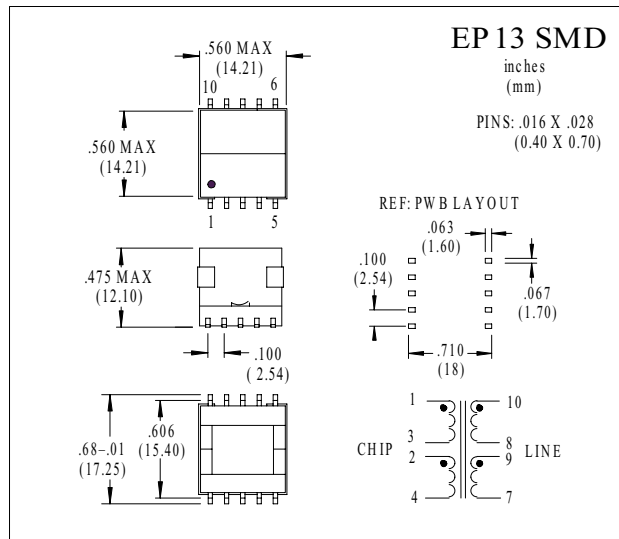
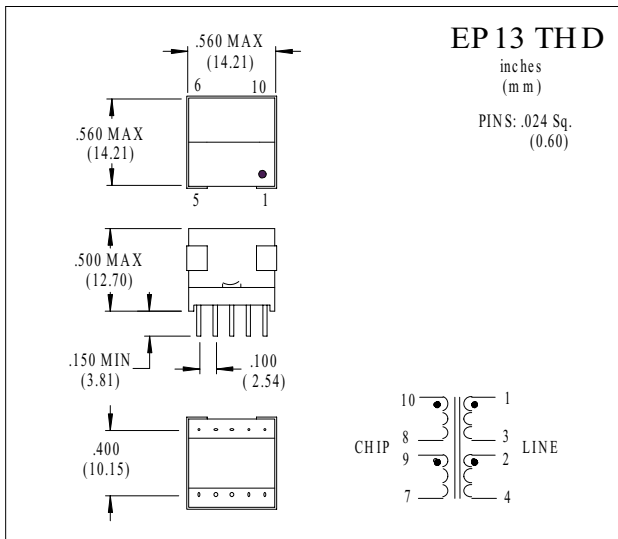
Schott P/N	OCL +/- 5% uH	Turns Ratio Chip:Line +/- 2%	Leakage mH Max	IWC Pf Max	DCR Chip Max Ohms	DCR Line Max Ohms	Dielectric Strength Vrms Min	Config / Schematic	App
31250	948	1.4:1.4:1:1	20	25	2.00	1.60	1500	23X11 THD	C.O.
31266	407	1:1:1:1	15	25	1.60	1.60	1500	23X11 THD	C.P.
31405	948	1.4:1.4:1:1	20	25	2.00	1.60	1500**	23X11 THD	C.O.
31406	407	1:1:1:1	15	25	1.60	1.60	1500**	23X11 THD	C.P.
31427	948	1.4:1.4:1:1	20	25	2.00	1.60	1500**	23X11 SMD	C.O.
31428	407	1:1:1:1	15	25	1.60	1.60	1500**	23X11 SMD	C.P.
31429	948*	1.4:1.4:1:1	10	25	1.80	1.40	1500	EP13 THD	C.O.
31430	407*	1:1:1:1	10	18	1.00	1.00	1500	EP13 THD	C.P.
31530	948*	1.4:1.4:1:1	10	25	2.40	1.50	1500**	EP13 THD	C.O.
31531	407*	1:1:1:1	10	18	1.20	1.4	1500**	EP13 THD	C.P.
31642	948*	1.4:1.4:1:1	10	25	1.80	1.40	1500	EP13 SMD	C.O.
31537	407*	1:1:1:1	10	18	1.00	1.00	1500	EP13 SMD	C.P.
31431	948	1.4:1.4:1:1	10	25	1.20	1.00	1500	EFD20 THD	C.O.
31432	407	1:1:1:1	10	25	1.00	1.00	1500	EFD20 THD	C.P.
31441	948	1.4:1.4:1:1	10	25	1.20	1.00	1500**	EFD20 THD	C.O.
31442	407	1:1:1:1	10	25	1.00	1.00	1500**	EFD20 THD	C.P.
32338	55	1:2.88:1.444	8	50	0.21.0.77	0.43	1500	EFD15 THD	C.O/C.P

Parts availability subject to Schott manufacturing schedules and leadtimes. Not all parts available from stock. Please contact us for more details and availability. The Adobe Acrobat Reader is required to view these linked documents.

Electrical Specifications Test Criteria

1. These transformers are designed for operating within a temperature range of -40°C to +85°C. All electrical characteristics are reported for operating at 25°C.
2. Inductance is measured at 10 kHz, 0.1 Vrms, leakage inductance at 100 kHz, 0.1 Vrms.
3. DC current capacity is point beyond which Bit Error Rate increases.
4. *Tolerance is $\pm 5\%$ for chip OCL.
5. Longitudinal balance @ 100 kHz is greater than 60 dB.
6. Harmonic distortion @ 100 kHz, 15 Vp-p is 80 dB minimum.
7. **Designed to meet UL1950/IEC-950 isolation and insulation requirements.

All data is believed to be accurate at time of printing. Schott Corporation reserves the right to make changes without notification. "Schott" is a trade name of Schott Corporation. All other trademarks and trade names are the property of their respective holder.



Schott Corporation
1000 Parkers Lake Road
Wayzata, Minnesota 55391
U.S.A.

Tel: + (952) 475-1173
Fax: + (952) 475-1786
Email: salesd@schottcorp.com
Web: http://www.schottcorp.com

All statements and technical information contained herein are believed to be accurate, but the accuracy and completeness thereof is not guaranteed. If any product is found to be defective, Schott Corporation's (Seller) only obligation shall be to replace such quantity of the product proved to be defective. User shall determine the suitability of the product for the intended use, and user assumes all risk and liability whatsoever in connection herewith. Seller shall not be liable for any direct, consequential, or incidental loss or damage. Conditions not specifically stated herein shall be governed by established trade customs. Schott Corporation reserves the right to make changes without notification. "Schott" is a trade name of Schott Corporation. All other trademarks and trade names are the property of their respective holder.