

- Characteristics matched to leading transceiver IC's
- Meets Bellcore GR-1089 transient and surge requirements, compliant with ANSI T1.413
- Dielectric strength is 850 VDC
- Central office or remote applications
- Surface mount or through hole models available
- UL94V-0 materials
- Excellent longitudinal balance
- Stable inductance with varying DC current/temperature
- ISO 9001 certified supplier

Specifications

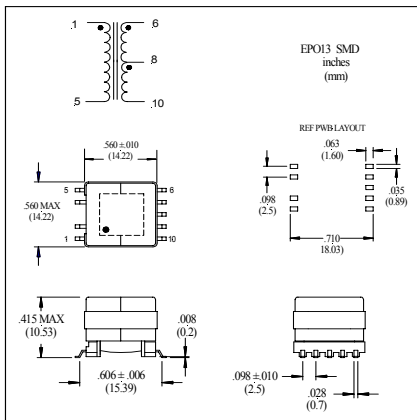
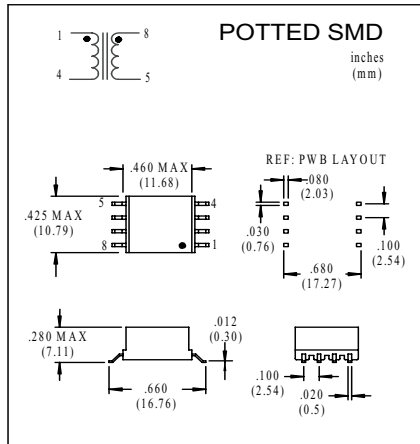
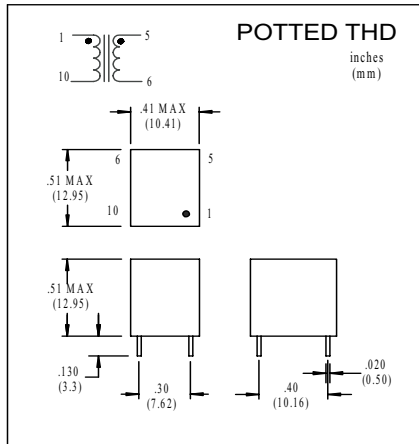
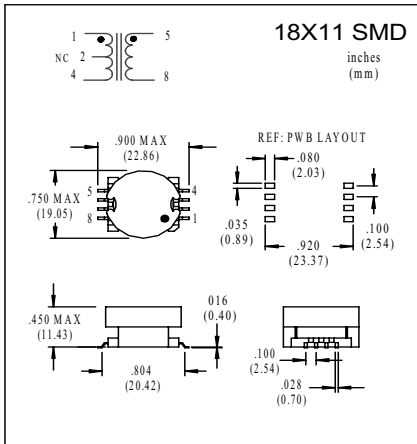
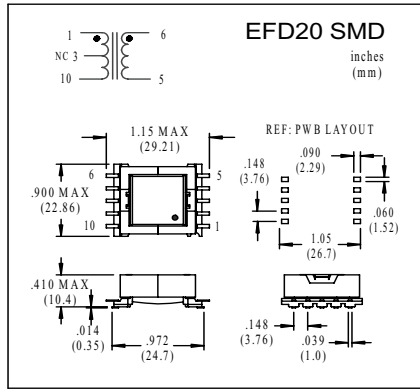
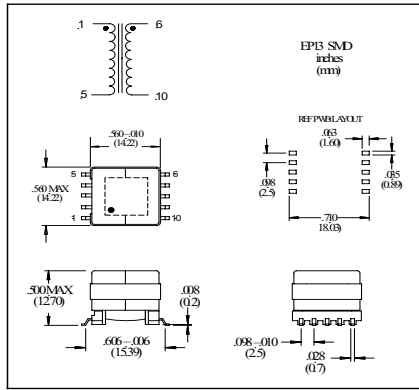
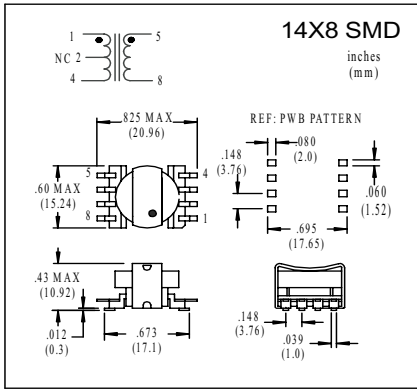
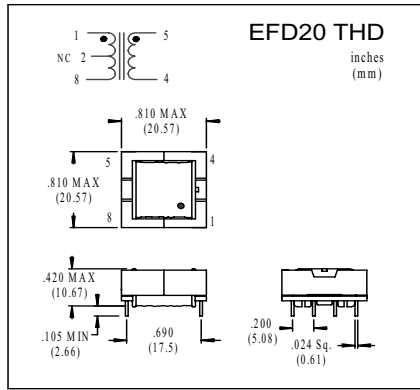
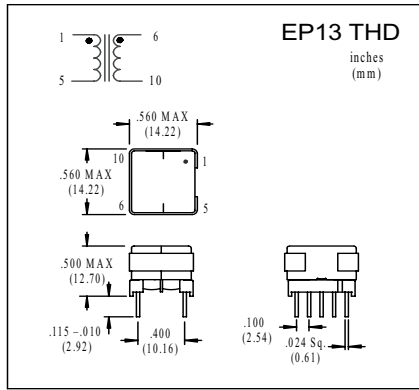
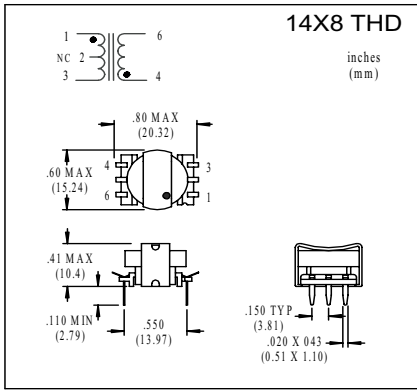
Schott P/N	OCL mH +/- 5%	DC Bias mA Max	Turns Ratio Chip: Line +/- 2%	IWC pF Max	DCR Ohms Max	Dielectric Strength	Config / Schematic
31629	4	60	1:1	100	4.00	850 VDC	14x8 THD
32454	4	60	1:1	100	4.00	850 VDC	18X8 SMD
32420	4	100	1:1	10	4.50	850 VDC	EP13 THD
32455	4	100	1:1	10	4.50	850 VDC	EP13 SMD
32422	4	160	1:1	200	2.49	850 VDC	EFD20 THD
32300	4	160	1:1	200	2.49	850 VDC	EFD20 SMD
32082	6*	60	1:1	160	5.00	850 VDC	14X8 THD
32457	6	100	1:1	200	4.00	850 VDC	18X11 SMD
32421	6*	100	1:1	20	5.00	850 VDC	EP13 THD
32458	6*	100	1:1	20	5.00	850 VDC	EP13 SMD
32423	6*	160	1:1	220	3.83	850 VDC	EFD20 THD
32299	6*	160	1:1	220	3.83	850 VDC	EFD20 SMD
35096	5	100	1:1	800	4.95	850 VDC	EP13 THD
35097	3	100	1:1	700	2.60	850 VDC	EP13 THD
32017	9.3	100	1:1	220	6.80	850 VDC	EFD20 THD
32018	16	100	1:1	250	10.70	850 VDC	EFD20 THD
31630	9**	0	1:1	180	0.60	1250 VAC	Potted THD
32298	9**	0	1:1	100	1.25	1250 VAC	Potted SMD
38164	5	100	1:1	450	6.00	850 VDC	EP13 SMD
39370	7	100	1:1	150	6.5	850 VDC	EP13 SMD
39679	7	100	1:1	150	6.5	850 VDC	EP013 SMD

Parts availability subject to Schott manufacturing schedules and leadtimes. Not all parts available from stock. Please contact us for more details and availability. The Adobe Acrobat Reader is required to view these linked documents.

Electrical Specifications Test Criteria

1. Inductors are designed for operating within a temperature range of -40°C to +85°C.
2. Inductance (OCL) is measured at 10kHz, 0.1 Vrms, IWC at 100kHz, 0.1 Vrms.
3. *Tolerance is ±6% for OCL, **tolerance is ±30% for OCL and is measured at 10 kHz, .01 Vrms.
4. The above table lists 16 coupled inductors that are part of the Lowpass POTS filter.
5. The 31630 and 32298 are common mode chokes (CMC) that reduce common mode voltages in the low frequency range that may be caused by telephone ringing signals or by interference from radio transmitters in the ADSL frequency range.

All data is believed to be accurate at time of printing. Schott Corporation reserves the right to make changes without notification. "Schott" is a trade name of Schott Corporation. All other trademarks and trade names are the property of their respective holder.



Schott Corporation
1000 Parkers Lake Road
Wayzata, Minnesota 55391
U.S.A.

Tel: + (952) 475-1173

Fax: + (952) 475-1786

Email: salesd@schottcorp.com

Web: http://www.schottcorp.com

All statements and technical information contained herein are believed to be accurate, but the accuracy and completeness thereof is not guaranteed. If any product is found to be defective, Schott Corporation's (Seller) only obligation shall be to replace such quantity of the product proved to be defective. User shall determine the suitability of the product for the intended use, and user assumes all risk and liability whatsoever in connection herewith. Seller shall not be liable for any direct, consequential, or incidental loss or damage. Conditions not specifically stated herein shall be governed by established trade customs. Schott Corporation reserves the right to make changes without notification. "Schott" is a trade name of Schott Corporation. All other trademarks and trade names are the property of their respective holder.