



- Central Office or Remote Locations
- Excellent THD performance
- Supports PAM datarates from 72Kbps-2368Kbps
- Meets G.991.2 Standard
- Designed to optimize performance with Globespan Semiconductor Transceiver ICs
- UL94V-0 materials
- ISO 9001 Certified Supplier
- UL/CSA/BABT Safety Approvals

## Specifications

Schott P/N	OCL Line MH	OCL Tol +/- %	Turns Ratio Chip:Line +/- 1%	Leakage uH Max	DCR Chip Ohms Max	DCR Line Ohms Max	Dielectric Strength VAC Min	Package / Schematic
38136	2.07	4.0	1:4	15	0.50	2.80	1500	EP13 THD/1
37521	2.07	4.0	1:4	15	0.50	2.80	1500	EP13 SMD/1
38137	3.0	6.0	1:5.4	15	0.33	3.00	1500	EP13 THD/1
39583	3.0	6.0	5.4:1	15	0.35	4.00	2050	EP13 SMD/2
39647	3.2	6.0	5.4:1	16	0.52	4.00	1500	STEP 10/3

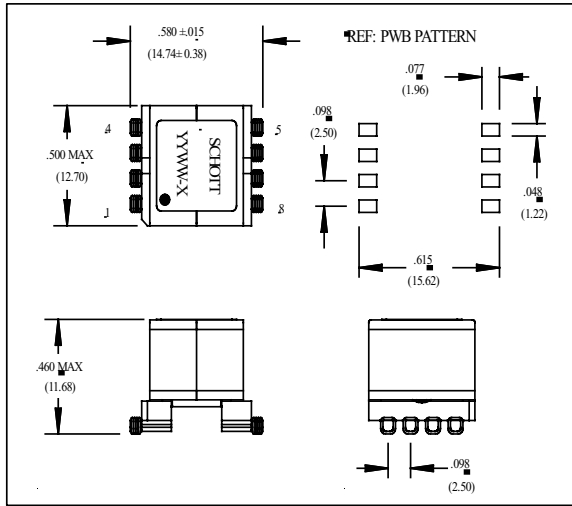
Parts availability subject to Schott manufacturing schedules and leadtimes. Not all parts available from stock. Please contact us for more details and availability. The Adobe Acrobat Reader is required to view these linked documents.

### Electrical Specifications Test Criteria

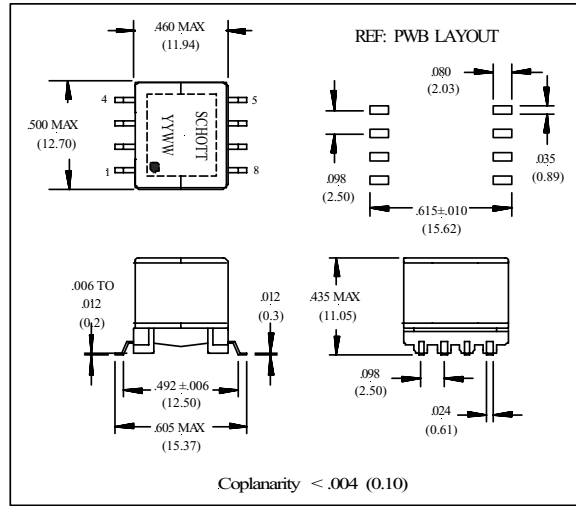
1. These transformers are designed for operating within a temperature range of  $-40^{\circ}\text{C}$  to  $+85^{\circ}\text{C}$ . All electrical characteristics are reported for operating at  $25^{\circ}\text{C}$ .
2. Inductance is measured at 10kHz, 0.1 Vrms, Leakage Inductance at 100kHz, 0.1 Vrms.
3. Designed to meet UL/CSA/BABT 1950/EN60950 Isolation and Insulation requirements.
4. For complete parameters of components listed above, request individual specification sheets.

All data is believed to be accurate at time of printing. Schott Corporation reserves the right to make changes without notification. "Schott" is a trade name of Schott Corporation. All other trademarks and trade names are the property of their respective holder.

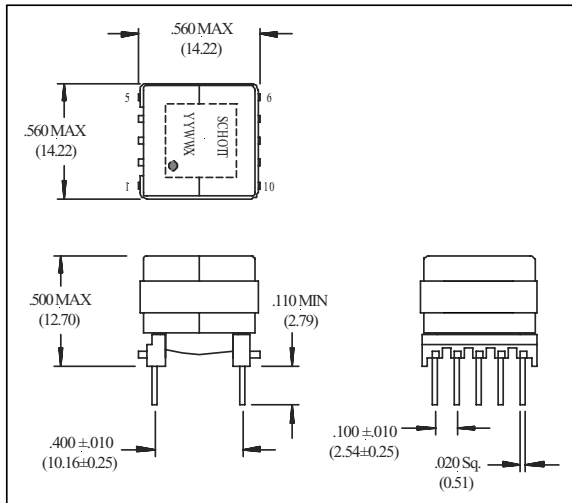
STEP10



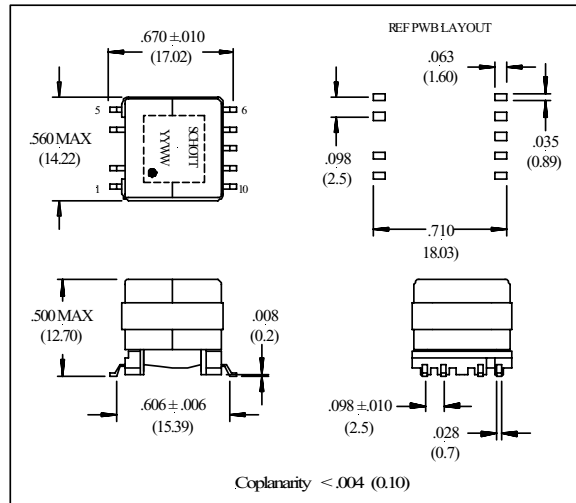
EP 10 SMD



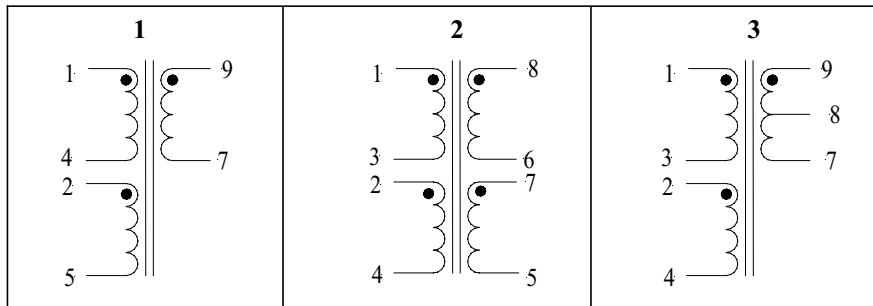
EP 13 THD



EP 13 SMD



SCHEMATICS



Schott Corporation  
1000 Parkers Lake Road  
Wayzata, Minnesota 55391  
U.S.A.

Tel: + (952) 475-1173

Fax: + (952) 475-1786

Email: salesd@schottcorp.com

Web: http://www.schottcorp.com

All statements and technical information contained herein are believed to be accurate, but the accuracy and completeness thereof is not guaranteed. If any product is found to be defective, Schott Corporation's (Seller) only obligation shall be to replace such quantity of the product proved to be defective. User shall determine the suitability of the product for the intended use, and user assumes all risk and liability whatsoever in connection herewith. Seller shall not be liable for any direct, consequential, or incidental loss or damage. Conditions not specifically stated herein shall be governed by established trade customs. Schott Corporation reserves the right to make changes without notification. "Schott" is a trade name of Schott Corporation. All other trademarks and trade names are the property of their respective holder.