

TITLE

TRANSFORMER,

SCHOTT
CORPORATION

1000 PARKERS LAKE ROAD
WAYZATA, MN 55391

AGENCY APPROVAL:
BAPT 650231

PART NUMBER

36437

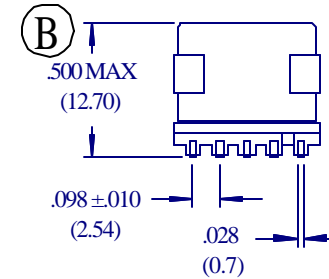
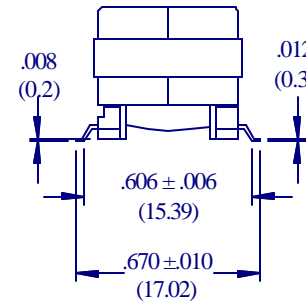
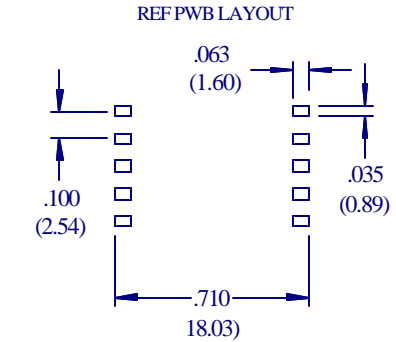
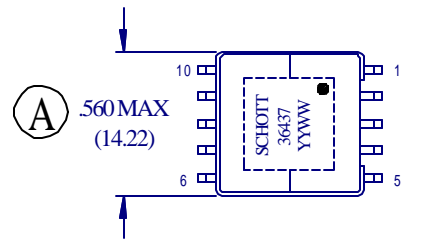
REV G

PAGE 1 END

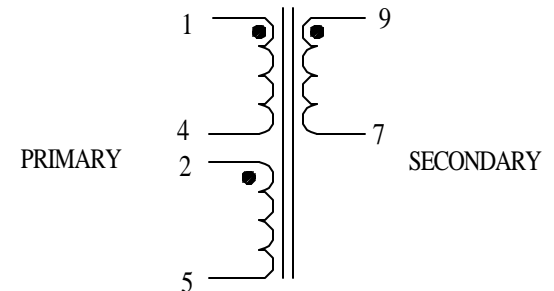
SPECIFICATIONS

Designed to meet EN60950 for a working voltage of 250 Vrms
OPERATING TEMPERATURE: -40°C TO +85°C

1. INDUCTANCE: 0.1 VRMS, 10 kHz
1-5 TIE 4&2 = 1.88 TO 2.12 mH
2. LEAKAGE INDUCTANCE: 0.1 VRMS, 100 kHz
1-5 TIE 4&2, SHORT (9-7) = 10 μH MAX
3. TURNS RATIO: 1-5 (TIE 4&2) : 9-7 = 2 : 1 ± 1%
4. DC RESISTANCE: OHMS MAX
9-7 = 1.4
1-5 (TIE 4&2) = 2.5
5. DIELECTRIC STRENGTH:
2050 VAC 1 SECOND (ALT. 2900 VDC, 1 SECOND)
PRIMARY TO SECONDARY - SAFETY CRITICAL
6. LONGITUDINAL BALANCE:
40 kHz TO 300 kHz = 53 dB MIN
7. FREQUENCY RESPONSE: 40 kHz TO 200 kHz = ± 0.1 db
8. RETURN LOSS: 16.5 dB MIN, 40 kHz TO 300 kHz,
REF = 135 OHMS, RI = 32 OHMS
9. INSERTION LOSS: 0.5 dB MAX, 40 kHz,
Rs = 135 OHMS, RI = 32 OHMS
10. THD: 20 kHz, 4.5 Vp-p = -70 dB MAX



NOTE:
COPLANARITY OF ±.004
ACROSS ALL LEADS



inch
(mm)

TOLERANCES UNLESS OTHERWISE NOTED	2 PLACE	3 PLACE	ANGLE
	± .02	.005	± °