



TITLE

TRANSFORMER,ADSL

PN

39761

REV

1

AGENCY APPROVAL: PENDING

SH

2

OF

11

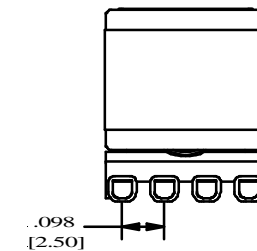
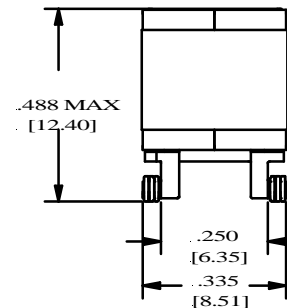
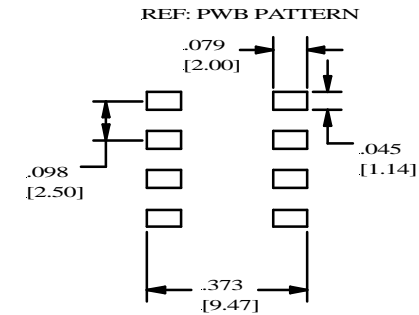
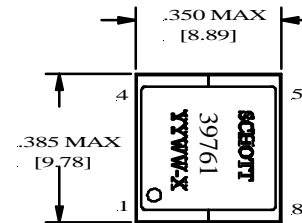
SPECIFICATIONS

Designed to meet UL1950/EN60950 with supplementary insulation for a working voltage of 250V.

TEMP CLASS: 155° C, FLAMABILITY: UL94V-0

OPERATING TEMPERATURE RANGE -40°C TO +85°C

1. INDUCTANCE: @ 0.1 Vrms, 10 kHz
1-4(tie 2-3)= 1.3-1.5mH (1.4mH NOM)
2. LEAKAGE INDUCTANCE: @ 0.1 Vrms, 100 kHz
1-4 (tie2-3) short 8-5(tie 6-7)=10uH MAX
3. IWC: @ 100 kHz, 0.1 Vrms
1-4 tie (3&2) to 8-5 tie (6-7) = 55 pF
4. TURNS RATIO: 1-3 : 2-4 : 8-6 : 7-5 = 1.33 : 1.33 : 1 : 1 ± 2%
5. DC RESISTANCE: OHMS MAX
1-3=2-4=1.8
8-6=7-5=0.95
6. HIPOT: 1500 Vrms, 1 MINUTE
(1800 Vrms OR 2500 VDC FOR 1 SECOND)
1&2 TO 8&7
7. LONGITUDINAL BALANCE:
40dB MIN 25kHz-1.1MHz
8. HARMONIC DISTORTION: 4.24Vrms
80 dB MAX @30kHz w/30 mA line current
75 dB MAX @200kHz w/30 mA line current
9. INSERTION LOSS:
.5dB MAX @ 100kHz



NOTE:
COPLANARITY = 0.006 [0.15]

