



TITLE

INTERNAL RINGING FILTER

PN

39812

REV

1

AGENCY APPROVAL: N/A

SH

2

OF

8

SPECIFICATIONS:

-Designed to meet EN60950 for a working voltage of 250 Vrms
 -Operating temperature: -40°C TO +85°C

1. INDUCTANCE: 0.1 VRMS, 10 kHz ,
 @ 0 to 100mAdc
 1-8 tie 5-4 = 6.1mH to 7.5mH (6.8mH± 10%)

2. LEAKAGE INDUCTANCE: 0.1 VRMS, 100 kHz
 1-4 SHORT(5-8) = 300µH Max

3. TURNS RATIO: 1 -4 : 5-8 = 1 : 1

4. DC RESISTANCE: OHMS MAX

1-4 = 5.5 Max

5-8 = 5.5 Max

Matching better than 10%

5. DIELECTRIC STRENGTH:

1500 VAC, 1 Minute

(ALT. 2500VDC,1 Second,1800 VAC 1 Second)

Primary to Secondary - Safety Critical

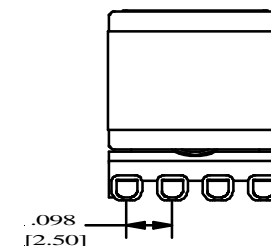
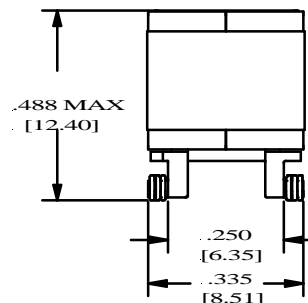
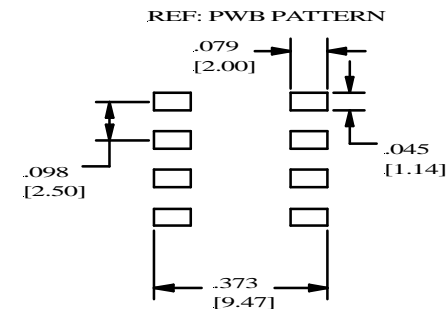
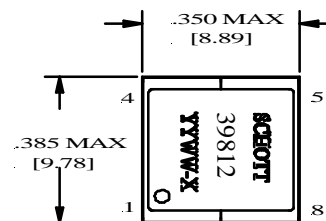
6. IWC : 0.1VRMS,100kHz

1-4 to 5-8 = 18pF Max

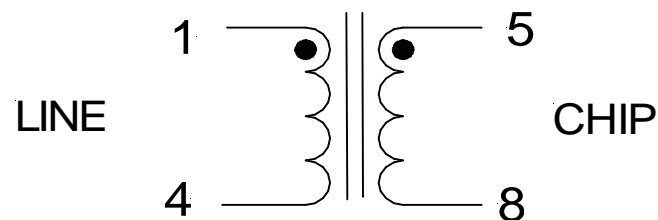
7. THD: 30kHz & 300kHz, 1.0VRMS

@ 30kHz = -80dB Max

@ 200kHz = -75dB Max



NOTE:
COPLANARITY = 0.006 [0.15]



INCHES / DECIMAL	.XX = ± .01	.XXX = ±.005	ANGLES ± 1°
MILLIMETERS (mm)	.XX = ± 0.20		